



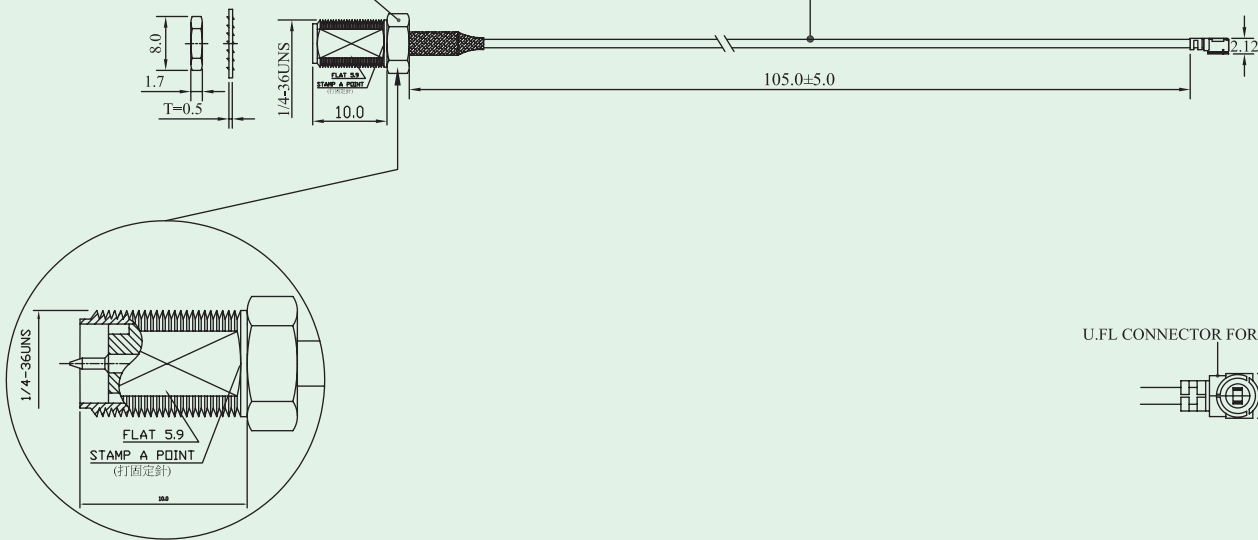
# Ø1.13mm Coaxial Cable With SMA / U.FL Connector

**KINSUN**

SMA FEMALE BULKHEAD REVERSE FOR  
Ø1.13 CABLE

Standard Coaxial Cable

Ø 1.13mm



U.FL CONNECTOR FOR Ø 1.13 CABLE

NOTES : IMPEDANCE 50Ω

**Series No.**

**6303070203-105**

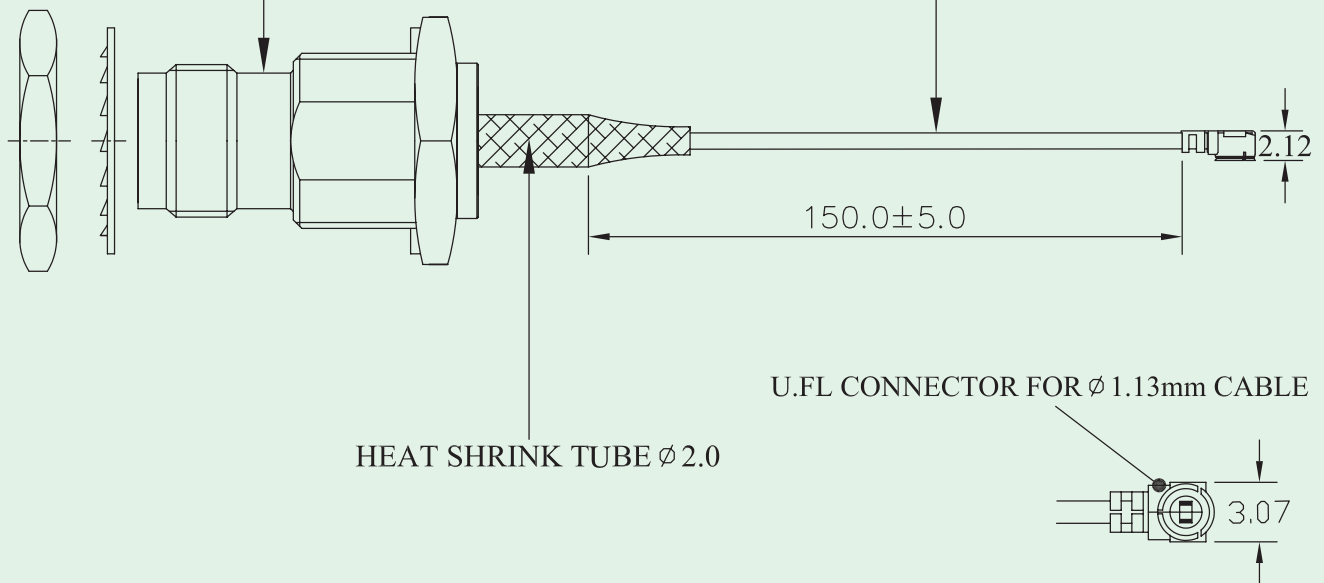


# Ø1.13mm Coaxial Cable With TNC / U.FL Connector

**KINSUN**

TNC FEMALE REVERSE FOR Ø 1.13 CABLE

Standard Coaxial Cable Ø 1.13mm



NOTES : IMPEDANCE 50Ω

**Series No.**

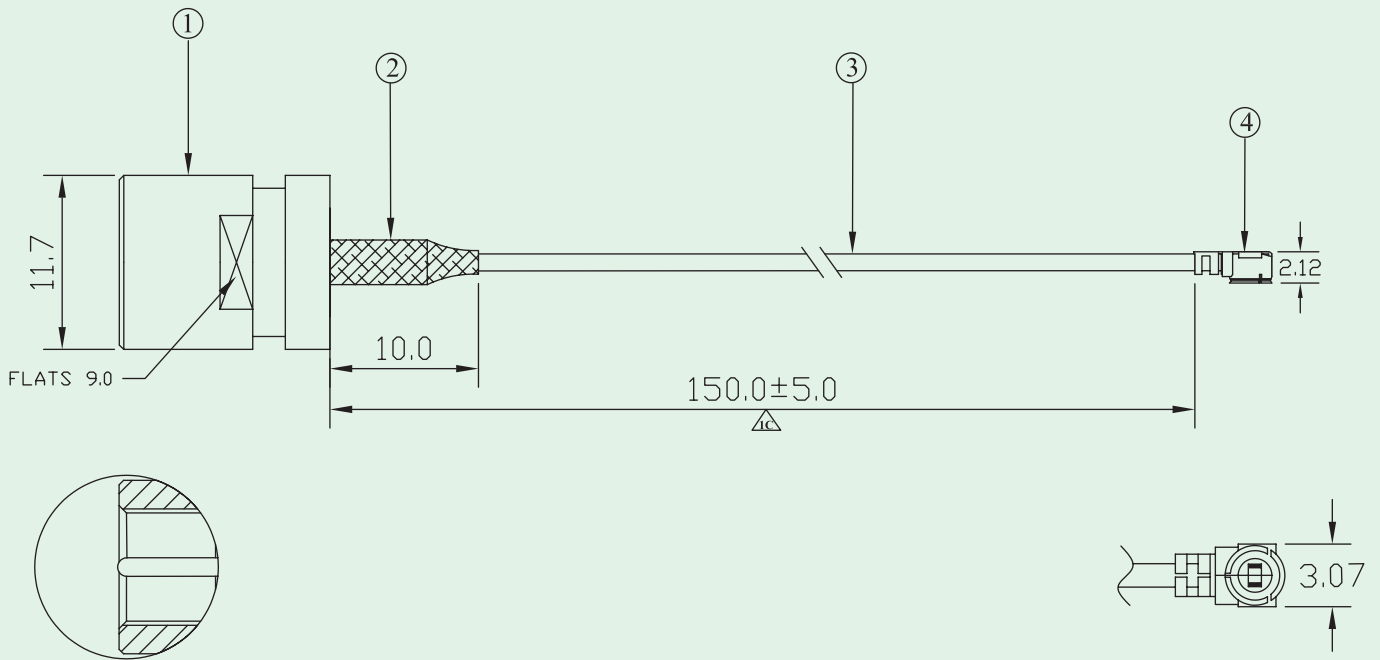
**6303100203-150**



# Ø1.13mm Coaxial Cable With FME / U.FL Connector

**KINSUN**

FME Male to U.FL for Ø1.13mm CABLE



1	FME MALE for Ø1.13 CABLE
2	HEAT SHRINK THBE Ø2.0
3	Standard Coaxial Cable Ø1.13 cable 灰色
4	U.FL CONNECTOR FOR Ø1.13 CABLE
NO	Description

NOTES : IMPEDANCE 50Ω

**Series No.**

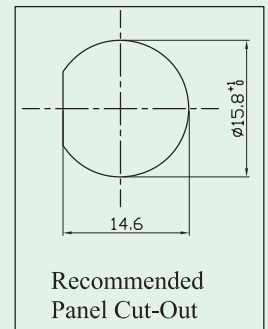
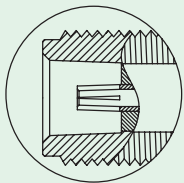
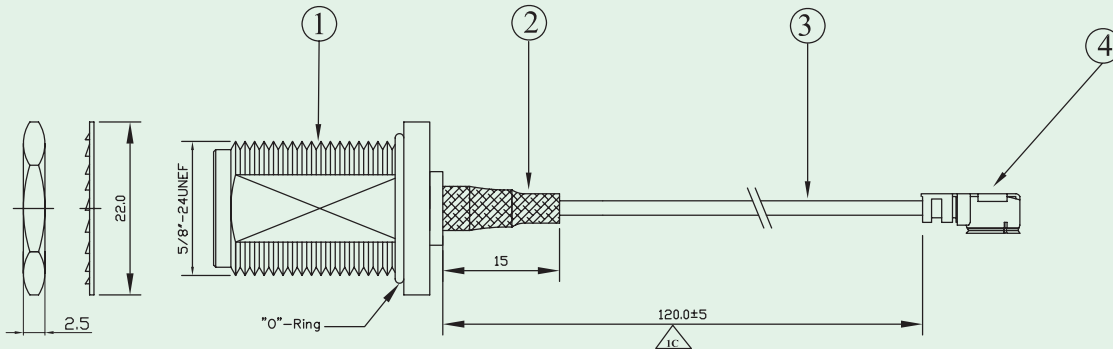
**6303040203-150**



# Ø1.13mm Coaxial Cable With Type N / U.FL Connector

**KINSUN**

N Female to U,FL for Ø1.13 CABLE



\*標註△為品保檢驗尺寸

NO	Description
1	N Female Reverse for Ø1.13 CABLE
2	HEAT SHRINK THBE Ø3.5
3	Standard Coaxial Cable Ø1.13 cable
4	U,FL Compatible Connector for Ø1.13 Cable

NOTES : IMPEDANCE 50Ω

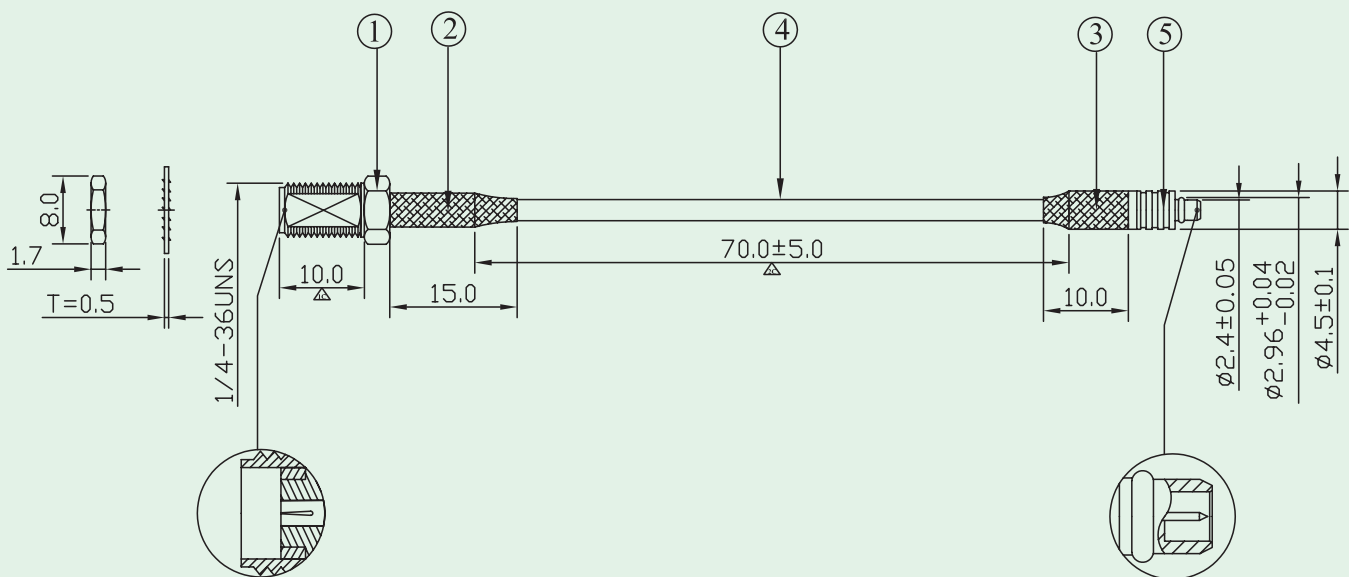
**Series No.**

**6303230203-120**



# RG-174 Coaxial Cable With SMA / MMCX Connector

**KINSUN**



- ① SMA Female Bulkhead
- ② HEAT SHRINK TUBE 3.5
- ③ HEAT SHRINK TUBE 3.5
- ④ Standard Coaxial Cable RG-174
- ⑤ MMCX Connector for RG-174 Cable

NOTES : IMPEDANCE 50Ω

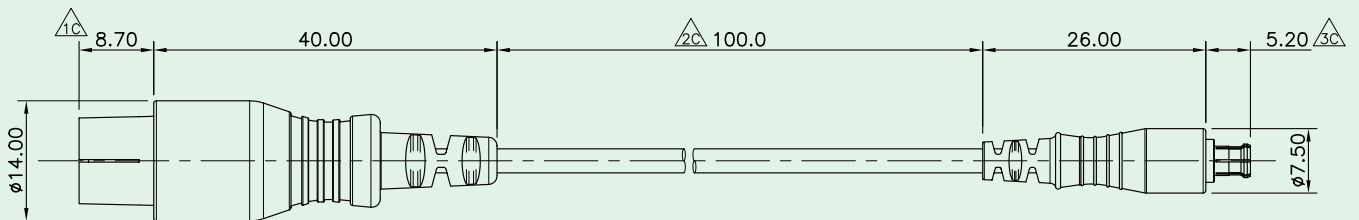
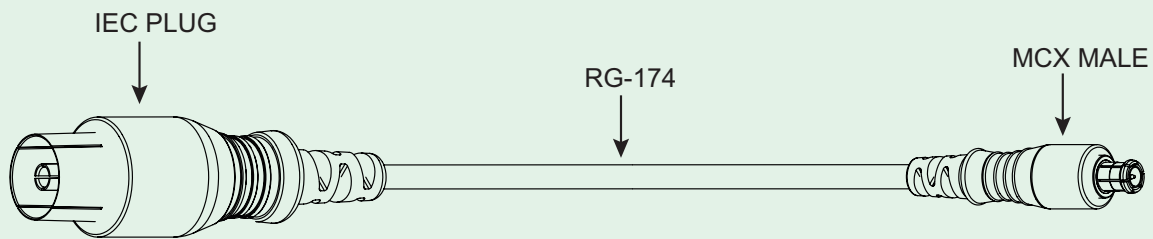
Series No.

**6304011800-070**



# RG-174 Coaxial Cable With IEC / MCX Connector

**KINSUN**



NOTES : IMPEDANCE 50 $\Omega$

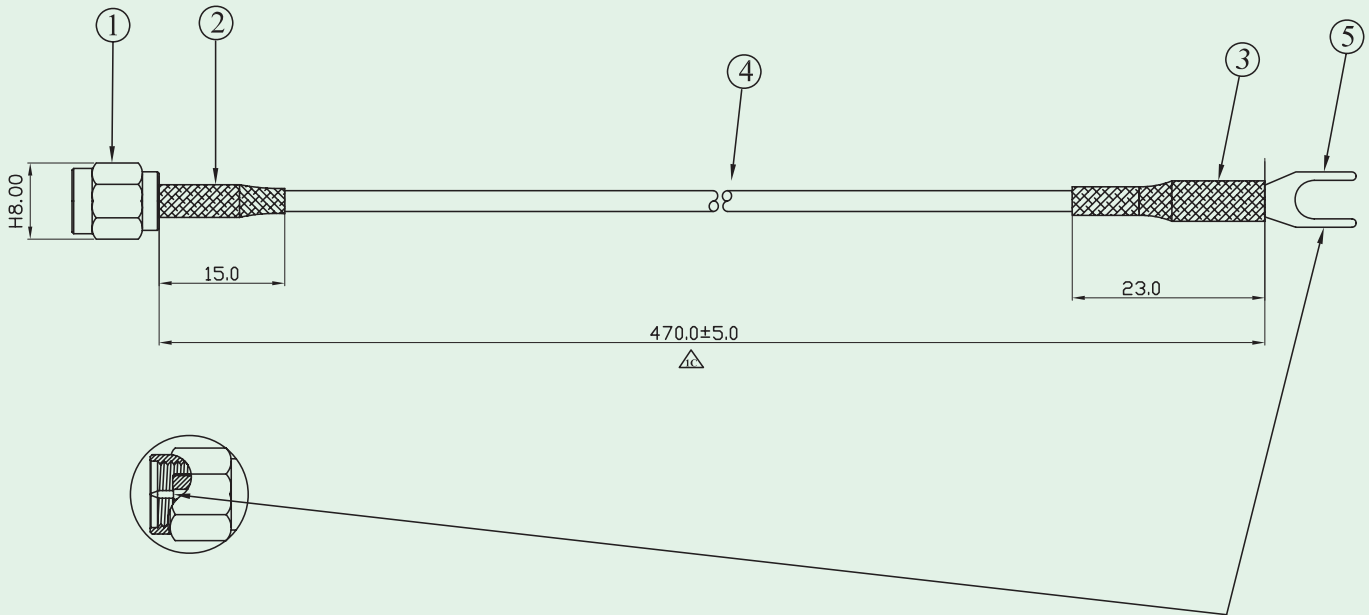
Series No.

**6304 Series**



# RG-174 Coaxial Cable With SMA / Y TERMINAL Connector

**KINSUN**



\*標註△為品保檢驗尺寸

1	SMA Male for RG-174 Cable
2	HEAT SHRINK THBE Ø3.5
3	HEAT SHRINK THBE Ø3
4	Standard Coaxial Cable RG-174
5	INSULATED Y TERMINAL 4.3
NO	Description

NOTES : IMPEDANCE 50Ω

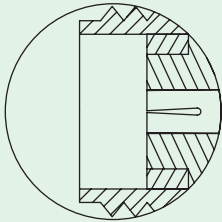
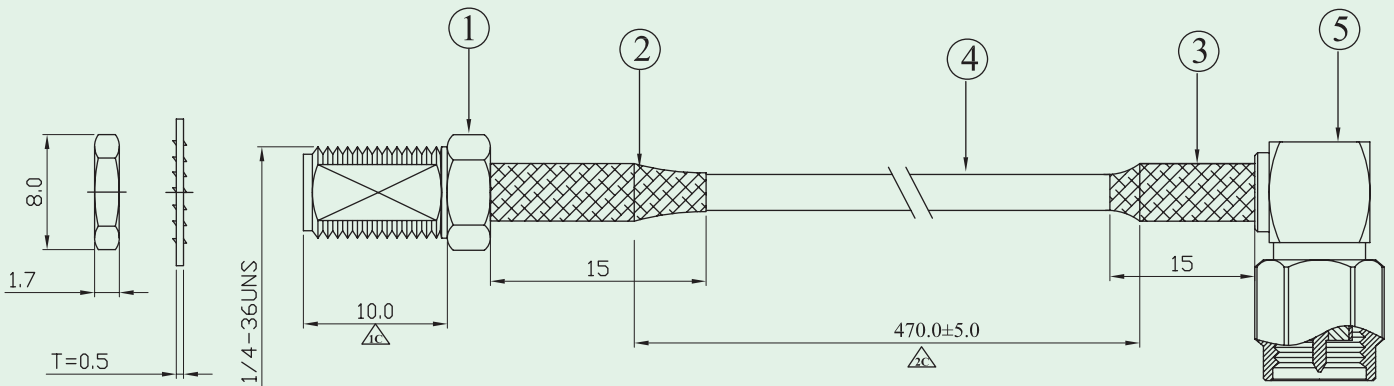
**Series No.**

**6304060300-470**



# RG-316 Coaxial Cable With SMA(F/S) / SMA(M/A)

**KINSUN**



\*標註△為品保檢驗尺寸

1	SMA Female Bulkhead for RG-316 CABLE
2	HEAT SHRINK THBE $\phi$ 3.5
3	HEAT SHRINK THBE $\phi$ 3.5
4	Standard Coaxial Cable RG-316 )
5	SMA male Bulkhead for RG-316 CABLE

NOTES : IMPEDANCE 50 $\Omega$

Series No.

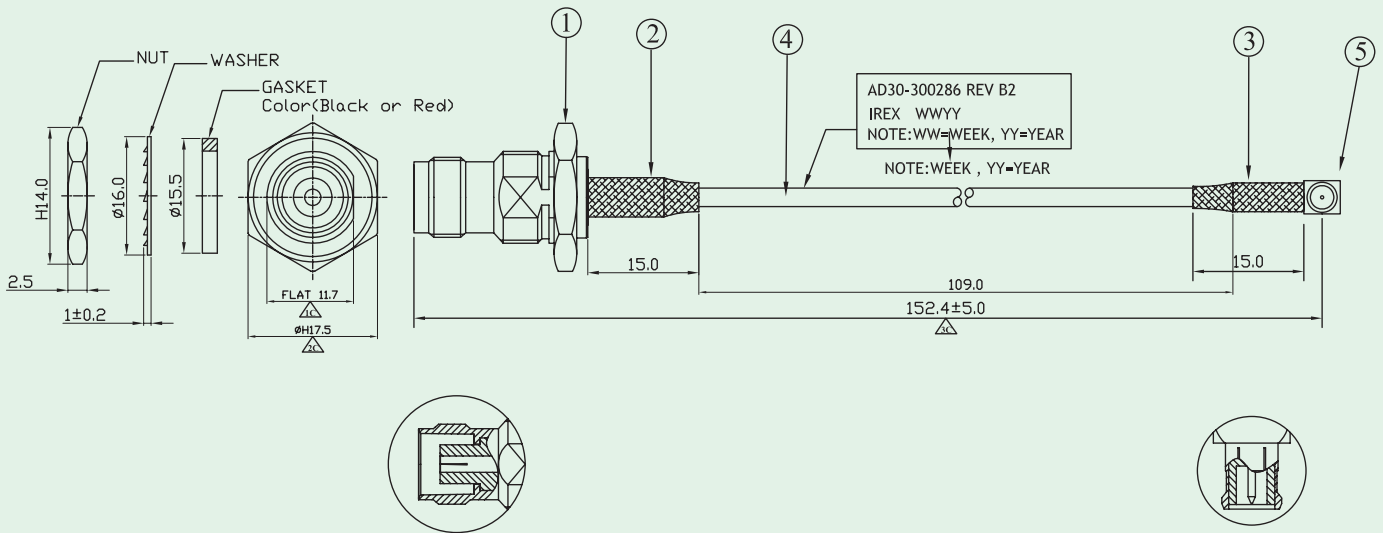
**6306012100-470**





# RG-316 Coaxial Cable With TNC/ MCX Connector

**KINSUN**



\* FLAT 平面為單面  
\* 標註△為品保檢驗尺寸

NOTE : 注意TNC與MCX方向須與圖面一致

1	TNC Female for RG-316 CABLE
2	HEAT SHRINK THBE ø5.0
3	HEAT SHRINK THBE ø3.5
4	Standard Coaxial Cable RG-316
5	MCX Right Angle for RG-316 Cable
NO	Description

NOTES : IMPEDANCE 50Ω

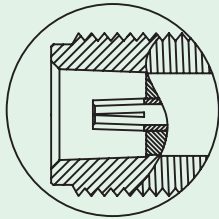
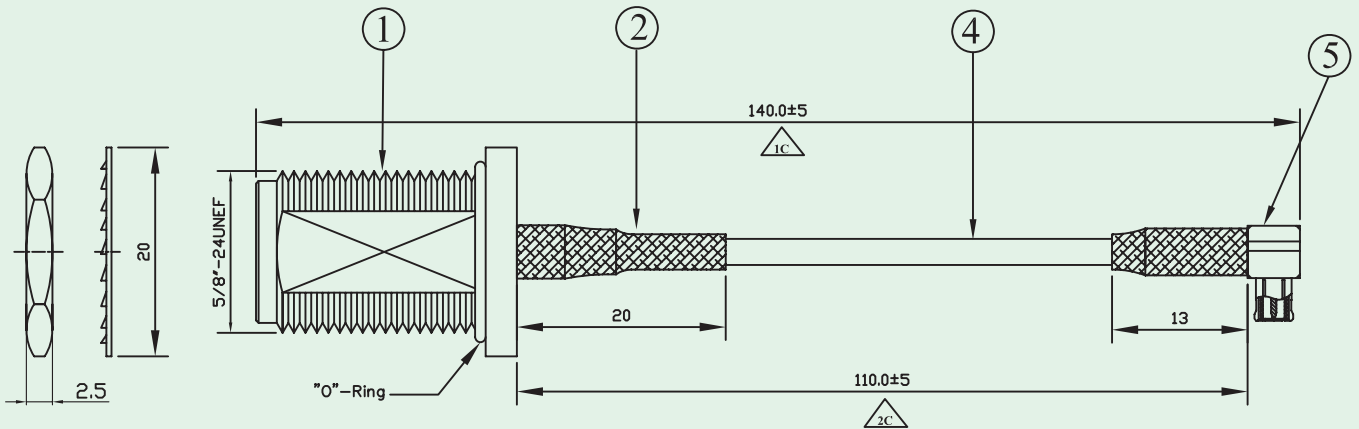
**Series No.**

**6306020800-109**



# RG-316 Coaxial Cable With Type N/MCX Connector

**KINSUN**



\* FLAT 平面為單面  
\* 標註  $\triangle$  為品保檢驗尺寸

1	N Female for RG-316 CABLE
2	HEAT SHRINK THBE $\phi$ 5.0
3	HEAT SHRINK THBE $\phi$ 3.5
4	Standard Coaxial Cable RG-316
5	MCX for RG-316 Cable
NO	Description

NOTES : IMPEDANCE 50 $\Omega$

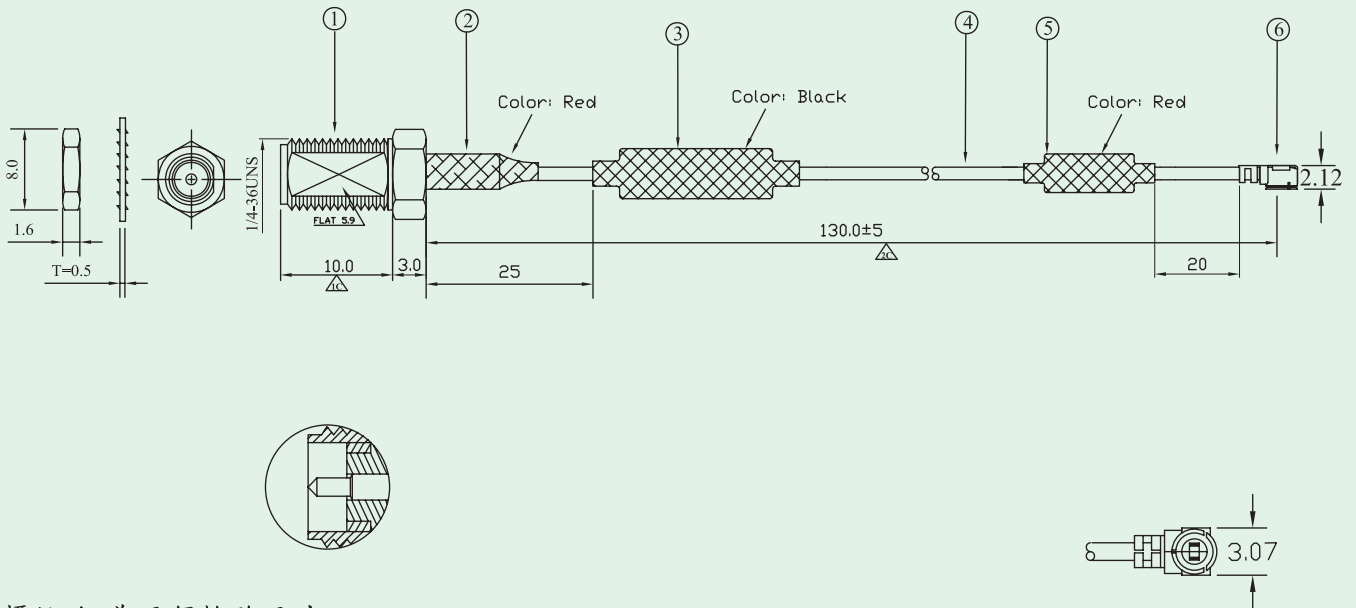
**Series No.**

**6306030800-110**



# Ø1.37mm Coaxial Cable

**KINSUN**



\*標註△ 為品保檢驗尺寸

1	SMA Female Reverse for Ø1.37 CABLE
2	HEAT SHRINK THBE Ø2.0 紅色
3	CORE Ø6*25*2 + HEAT SHRINK THBE Ø6*1 黑色
4	Standard Coaxial Cable Ø1.37 cable 白色
5	CORE Ø4*10*2 + HEAT SHRINK THBE Ø4*1 紅色
6	U.FL Compatible Connector for Ø1.37 CABLE

NOTES : IMPEDANCE 50Ω

**Series No.**

**6307010234-130**

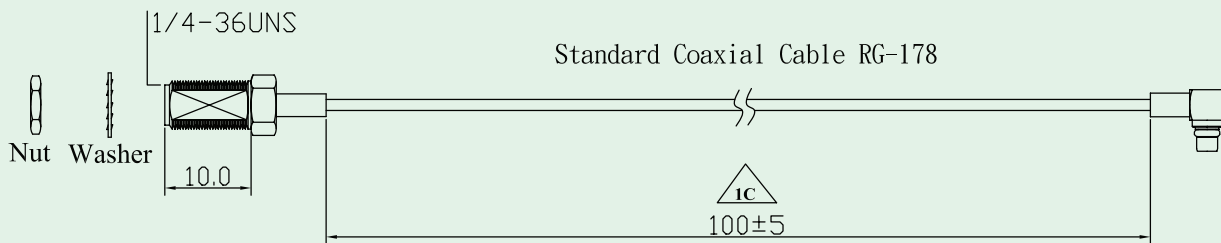


# RG-178 Coaxial Cable With SMA / MMCX Connector

**KINSUN**

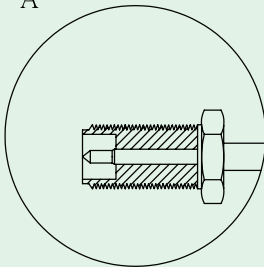
SMA FEMALE BULKHEAD REVERSE "A"

MMCX MALE RIGHT ANGLE "B"

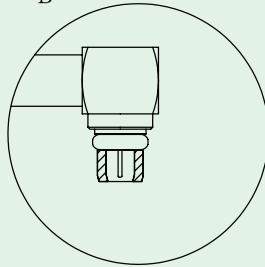


Detail:

"A"



"B"



NOTES : IMPEDANCE 50Ω

**Series No.**

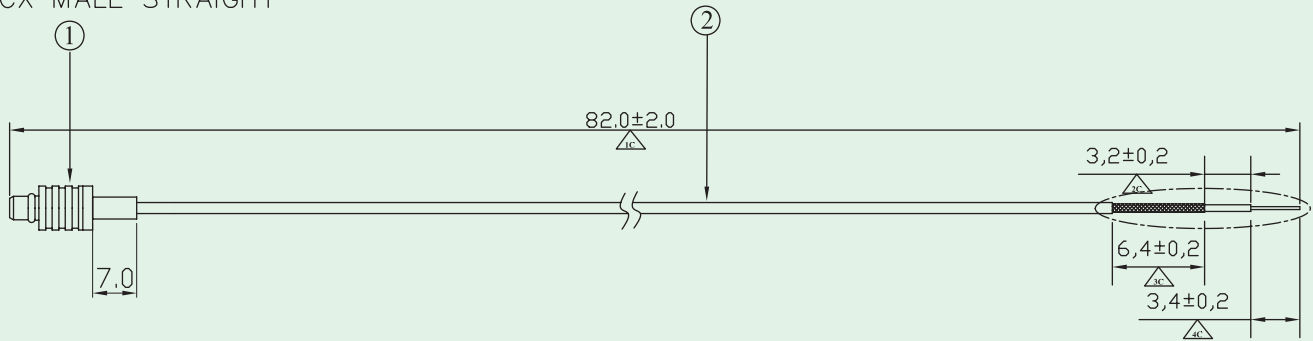
**6308070501-100**



# RG-178 Coaxial Cable With MMCX Connector

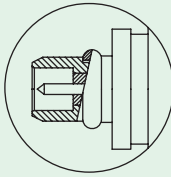
**KINSUN**

MMCX MALE STRAIGHT



Detail:

"A"



NOTE: 此成品需鍍錫

\*標註△為品保檢驗尺寸

1	MMCX MALE for RG-178 CABLE
2	Standard Coaxial Cable RG-178
NO	Description

NOTES : IMPEDANCE 50Ω

Series No.

**6308210000-082**



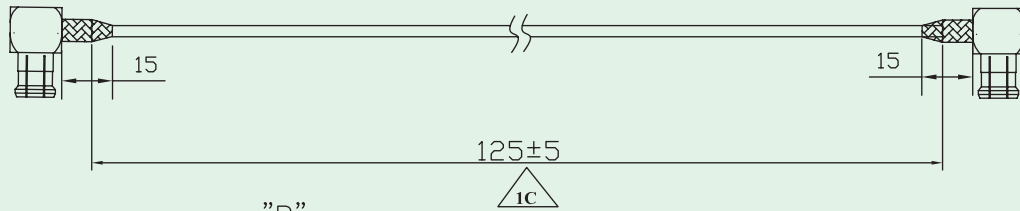
# RG-179 Coaxial Cable With MCX Connector

**KINSUN**

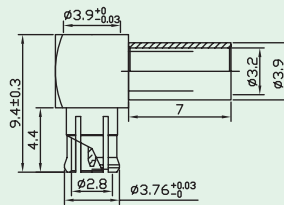
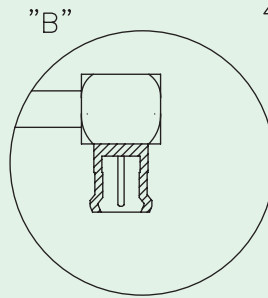
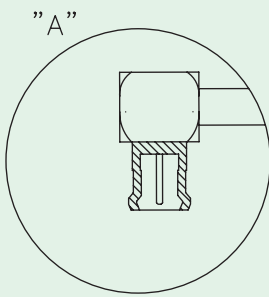
MCX MALE RIGHT ANGLE  
"A"

MCX MALE RIGHT ANGLE  
"B"

Standard Coaxial Cable RG-179



Detail:



- 1.CONNECTER:  
 IMPEDANCE: 75Ω  
 FREQUENCY RANGE: 0~6GHz  
 TEMPERATURE RANGE: -55°C~155°C
- 2.CABLE:  
 IMPEDANCE: 75Ω  
 FREQUENCY RANGE: 0~2GHz  
 TEMPERATURE RANGE: -50°C~200°C
- 3.CABLE ASSEMBLY:  
 IMPEDANCE: 75Ω  
 FREQUENCY RANGE: 0~2GHz  
 TEMPERATURE RANGE: -50°C~155°C

NOTES : IMPEDANCE 50Ω

Series No.

**6309010100-125**